

Applications generic office, corridors, conference hall, hotels, shops, commercial areas, public places, cinemas, art and culture, libraries, airports

Installation Suspended, surface mounted, wall mounted, semi-recessed



Emission Depending on the light source installed which includes the reflector. It can have different emission angles

Lighting sources

- fluorescent:
 - o 2x10W lamp base GX24q1
 - o 6W lamp base GX53
- LED (monocromatic)

Lamps Fluorescent lamps not included

Colours White RAL 9003, half-lustre aluminium RAL 9006

Housing Metal structure in press-welded aluminium powder painted

Screen PC screen in opal polycarbonate, thickness 3 mm, injection moulded, shock and yellowing resistant

Wiring

- Power supply 230V-50Hz.
- 2,5 mm² LTN terminal block

Thermoresistant cable H05V2-K sect. 0,75mm².
Power factor correction $\cos \mu > 0,95$

Ballasts Electronic

Electrical options For connections with other equipment or systems, contact our Technical Staff

Accessories Pictograms for emergency light or signage

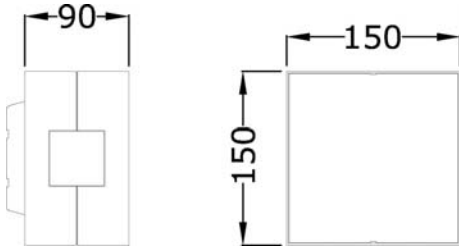
Directives 2006/95/CE, 2004/108/CE

Regulations EN 60 598-1

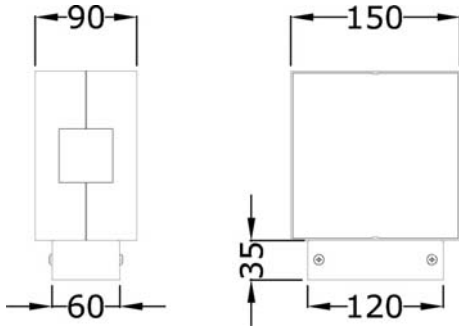
Isolation class I

Protection degree IP 20

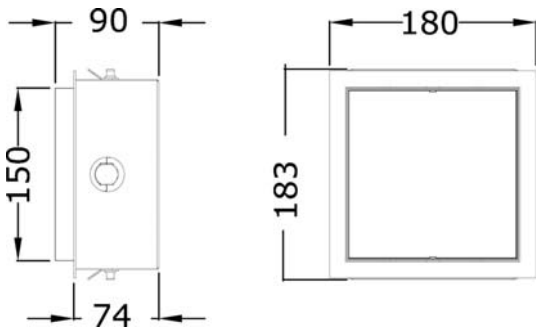
Dimensions (in mm)



Geo F1 – wall mounted

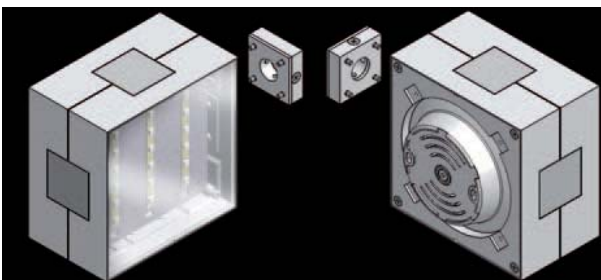


Geo F2/F3 orthogonal wall mounted

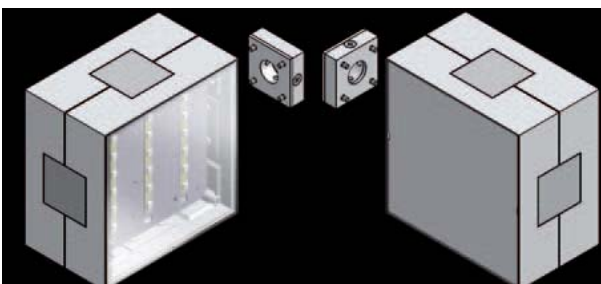


Geo F2 recessed

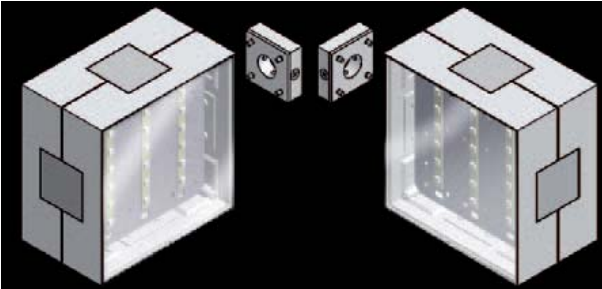
Geo F1 – single face module for recessed or wall parallel mounting



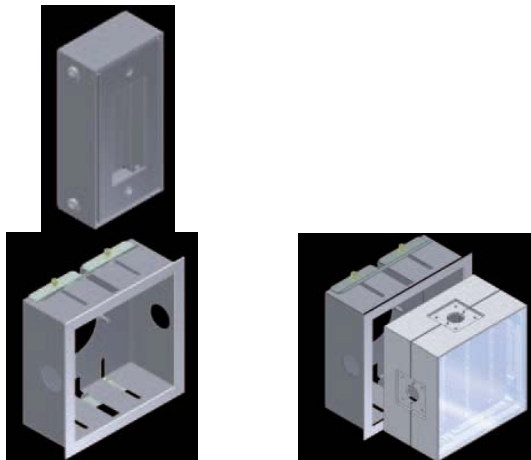
Geo F2 – single face module for orthogonal wall or ceiling mounting



Geo F3 – double face module for orthogonal wall or ceiling mounting



Accessories



Wall/surface base

Recessing box with frame

Pictograms

Example of possible installations

