

Applications generic office, corridors, conference hall, hotels, shops, commercial areas, public places, cinemas, art and culture, libraries, airports

Installation Suspended, surface mounted, wall mounted, semi-recessed



Emission Depending on the light source installed which includes the reflector. It can have different emission angles

Lighting sources

- Metal halide MT 111 35W and 70W lamp base GX8.5
- Halogen HRGI 111 50W and 75W lamp base G53
- LED 111
- Fluorescenti
 - o 6W lamp base GX53
 - o 2x10W lamp base GX24q1

Lamps Not included

Colours White RAL 9003, half-lustre aluminium RAL 9006

Housing Metal structure in press-welded aluminium powder painted

Screen PC screen in opal polycarbonate, thickness 3 mm, injection moulded, shock and yellowing resistant

Wiring Depending on the light source installed :

Power supply 230V-50Hz.
2,5 mm² LTN terminal block
Thermoresistant cable H05V2-K sect. 0,75mm².
Power factor correction $\cos\mu > 0,95$

Ballasts Electronic (if fitted)

Electrical options For connections with other equipment or systems, contact our Technical Staff

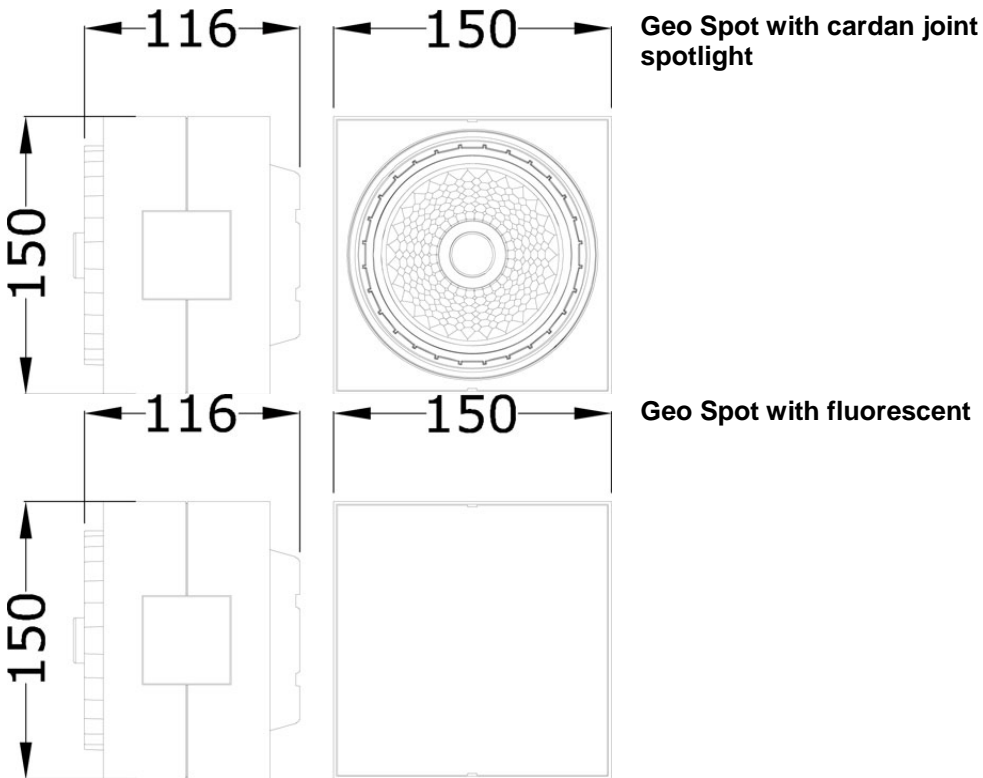
Directives 2006/95/CE, 2004/108/CE

Regulations EN 60 598-1

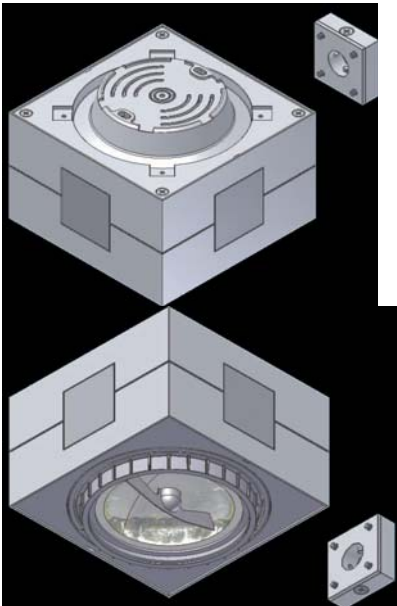
Isolation class I

Protection degree IP 20

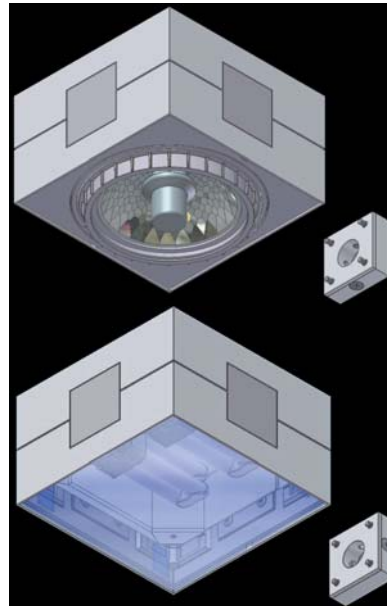
Dimensions (in mm)



Spot modules for configurations



Halogen HRGI
111



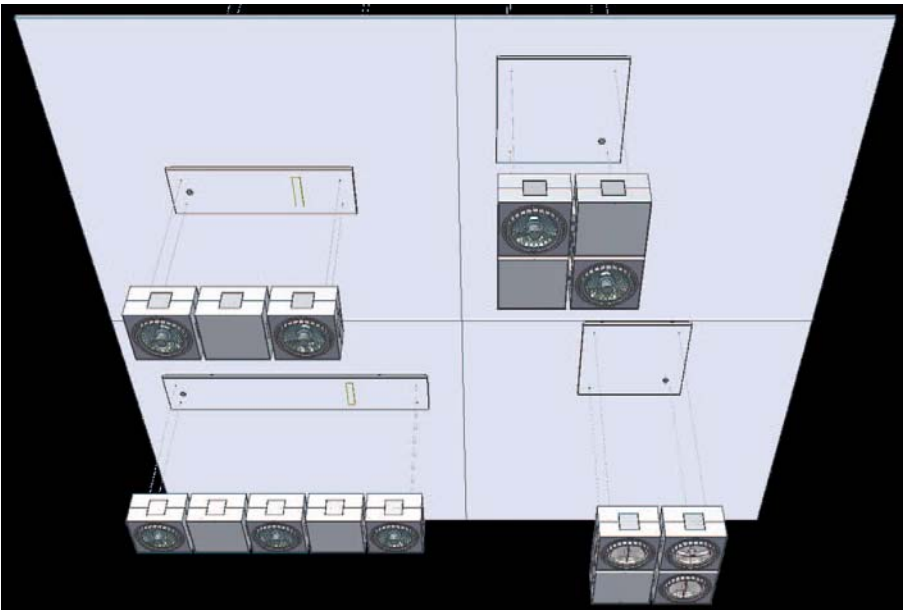
Metal Halide
MT 111

Fluorescent TC-
DE 2x10W

Installations



Accessories – ceiling roses



Accessori

